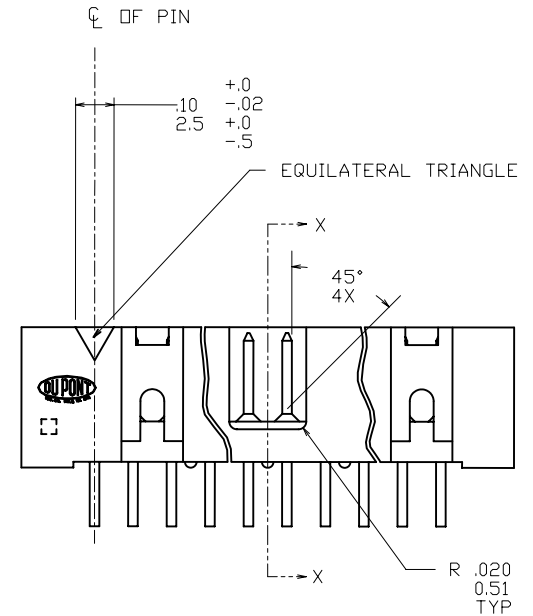
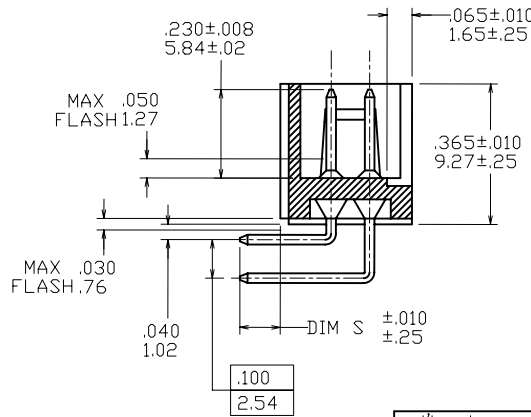
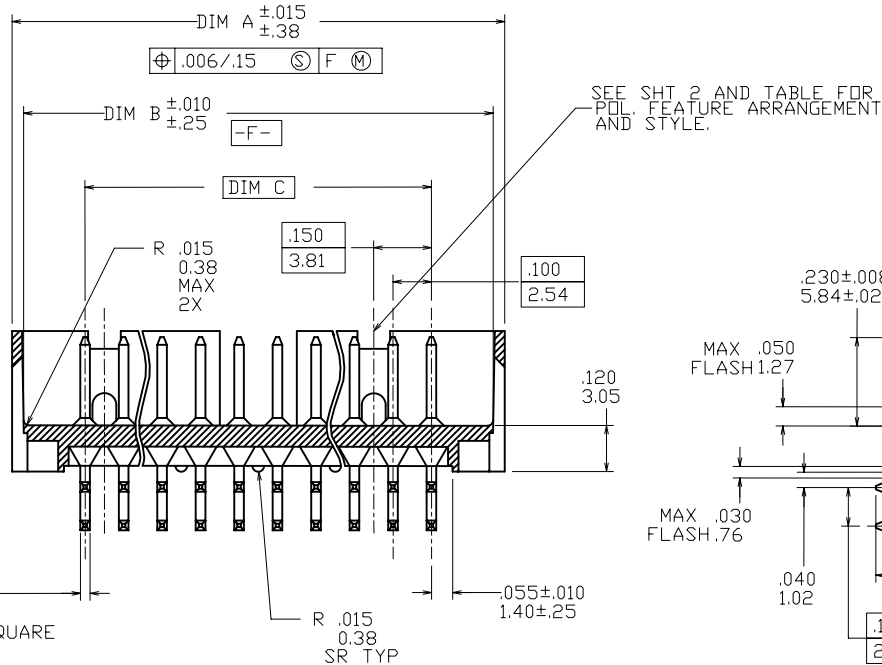
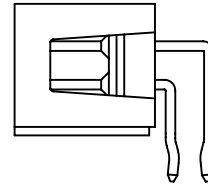
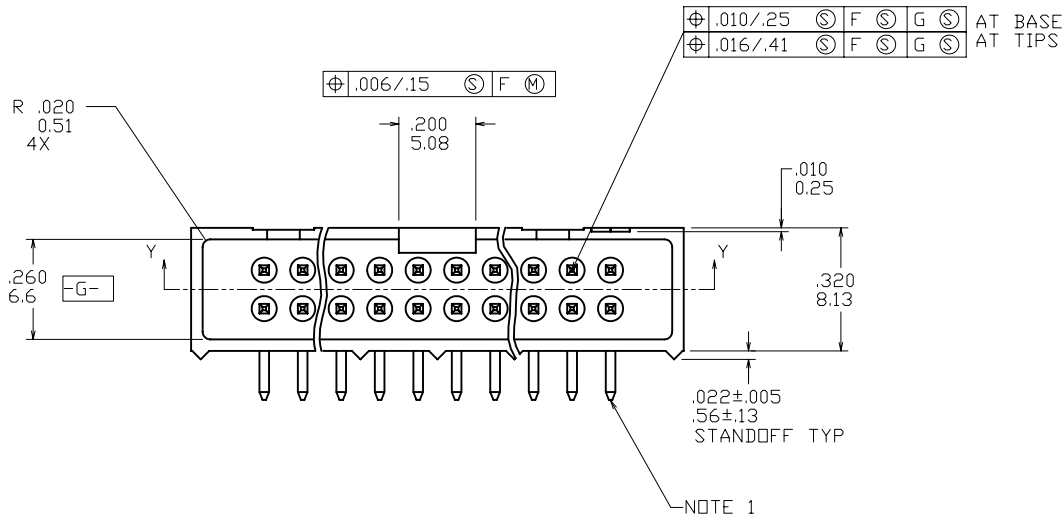


Tous droits strictement reserves. Reproduction ou communication a des tiers interdite sous quelque forme que ce soit sans autorisation ecrite du proprietaire. Propriete de c FCI. Droits de reproduction FCI.

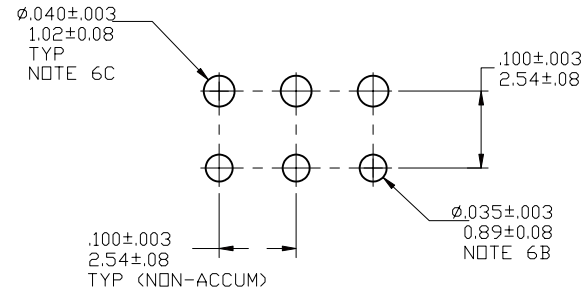
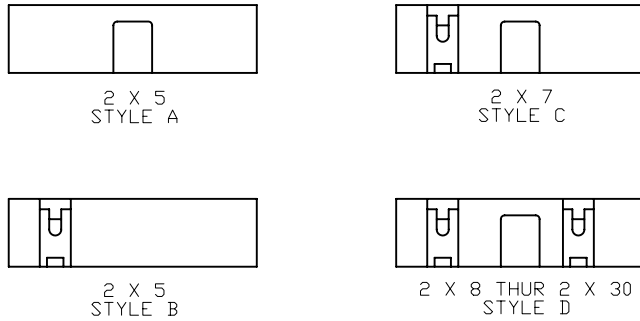
All rights strictly reserved. Reproduction or issue to third parties in any form whatever is not permitted without written authority from the proprietor. Property of FCI. Copyright FCI.



SECTION Y-Y

SECTION X-X

| | | | | | | | |
|-------------|----------|---------------------------------------|---------|---------------|--------------------|------------------------|---|
| mat'l. code | | tolerances unless otherwise specified | | CUSTOMER COPY | | www.fciconnect.com | |
| ltr | ecn no | dr | date | linear | .X ± 0.3 | projection | title |
| A | V31002 | BM | 6/3/93 | | .XX ± 0.13 | | |
| B | V32185 | MSC | 1/19/94 | angles | .XXX ± 0.05 | | HEADER QUICKIE SLIM LINE RIGHT ANGLE, 4 WALL HTP |
| C | V40746 | MSC | 5/17/94 | | ± | | |
| D | N05-015 | ZC | 6/10/05 | dr | M. CLOUSER 7/11/90 | INCH/MM | product family QUICKIE |
| | | | | engr | M.SMYK 7/11/90 | ← | code |
| | | | | chr | M.SMYK 1/17/94 | scale | size |
| | | | | ppd | M.SMYK 6/14/93 | 1:1 | dwg no |
| sheet | revision | | | | | A3 | 89541 |
| index | sheet | | | | | | sheet 1 of 3 |



RECOMMENDED HOLE PATTERN
SCALE 10/1

| KEY FOR PLATING AND TAIL LENGTH AND TYPE | | | |
|--|---------------------------------|-----------------|---------------|
| X | TERMINAL PLATING | DIM S ±.01 ±.25 | TERMINAL TYPE |
| -0XX | 30u"/.76u Au OVER 50u"/1.27u Ni | .105/2.67 | RD |
| -1XX | 30u"/.76u GXT/GOLD FLASH | .105/2.67 | RD |
| -2XX | 30u"/.76u Au OVER 50u"/1.27u Ni | .150/3.81 | RD |
| -3XX | 30u"/.76u GXT/GOLD FLASH | .150/3.81 | RD |
| -4XX | 30u"/.76u Au OVER 50u"/1.27u Ni | .105/2.67 | SQ |
| -5XX | 15u"/.38u GXT/GOLD FLASH | .105/2.67 | SQ |
| -6XX | 30u"/.76u Au OVER 50u"/1.27u Ni | .150/3.81 | SQ |
| -7XX | 30u"/.76u GXT/GOLD FLASH | .150/3.81 | SQ |
| -8XX | 15u"/.38u Au OVER 50u"/1.27u Ni | .150/3.81 | SQ |
| -9XX | 30u"/.76u GXT/GOLD FLASH | .105/2.67 | SQ |

NOTES


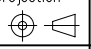
- SAME PIN POSITION TOLERANCE APPLIES TO BOTH ENDS OF EACH TERMINAL.
- MOLDING MAT'L; 30% GLASS-FILLED POLYESTER, PCT FLAME RETARDANT PER UL 94VE-0, COLOR; BEIGE
1. MAX DRAFT PERMISSIBLE ON ALL SURFACES.
- 4 POUNDS/1.8 KILOGRAMS MIN. TERM. PULL-OUT FORCE.
- TERMINAL MAT'L: PHOSPHOR BRONZE.
- A. PART NUMBERS HAVING AN "R" FOLLOWING THE 8 DIGIT P/N (EXAMPLE 89541-010 R) HAVE A RETENTION FEATURE. LOCATION IS MANUFACTURER'S OPTION.
B. CONNECTORS WITH RETENTION AND ROUND PINS HAVE 15LB/6.8KG MAX INSERTION AND .25LB/.11KG MIN RETENTION FORCE WHEN USED IN A .035/.89±.003/.08 DIA HOLE AND .062/1.58 THICK PCB BOARD
C. CONNECTORS WITH RETENTION AND SQUARE PINS HAVE A 15LB/6.8KG MAX INSERTION AND A .5LB/.23KG MIN RETENTION WHEN USED IN A .040/1.02±.003/.08 DIA HOLE AND A .062/1.58 THICK PCB BOARD.
- MAY BE ORDERED WITH G-PAX PACKAGING BY ADDING "G" TO THE END OF THE 8 DIGIT PART NUMBER PER GES-14-314.
- THE HOUSING OF XXXXX-XYLF WILL WITHSTAND EXPOSURE TO 260°C PEAK TEMPERATURE FOR 10 SECONDS IN A WAVE SOLDER PROCESS.
- 89541-***LF IS JUST A LEAD FREE PRODUCT.

| | | | | | | | |
|-------------|----------|---------------------------------------|------------|---------------|-------------|------------------------|--|
| mat'l. code | | tolerances unless otherwise specified | | CUSTOMER COPY | | www.fciconnect.com | |
| ltr | ecn no | dr | date | linear | .X ± 0.3 | projection | title HEADER QUICKIE SLIM LINE RIGHT ANGLE, 4 WALL HTP |
| D | | | | | .XX ± 0.13 | | |
| | | | | angles | .XXX ± 0.05 | | |
| | | dr | M. CLOUSER | 7/11/90 | | INCH/MM | product family QUICKIE |
| | | enrg | M.SMYK | 7/11/90 | | ← → | code |
| | | chr | M.SMYK | 1/17/94 | | scale | size dwg no |
| | | pppd | M.SMYK | 6/14/93 | | 1:1 | 89541 |
| sheet | revision | | | | | | |
| index | sheet | | | | | | 2 of 3 |

Tous droits strictement reserves. Reproduction ou communication a des tiers interdite sous quelque forme que ce soit sans autorisation ecrite du proprietaire. Propriete de c FCI. Droits de reproduction FCI.

All rights strictly reserved. Reproduction or issue to third parties in any form whatever is not permitted without written authority from the proprietor. Property of FCI. Copyright FCI.

| NOTE 6 | POS | DIM A | DIM B | DIM C | STYLE | NOTE |
|---------------|------|-----------|-----------|-------------|-------|------|
| 89541-X02(LF) | 2X5 | .78/19.8 | .72/18.3 | .400/10.16 | B | |
| -X10(LF) | 2X5 | .78/19.8 | .72/18.3 | .400/10.16 | A | 7 |
| -X14(LF) | 2X7 | .98/24.9 | .92/23.4 | .600/15.24 | C | |
| -X16(LF) | 2X8 | 1.08/27.9 | 1.02/25.9 | .700/17.78 | D | |
| -X20(LF) | 2X10 | 1.28/32.5 | 1.22/31.0 | .900/22.86 | | |
| -X24(LF) | 2X12 | 1.48/37.6 | 1.42/36.1 | 1.100/27.94 | | |
| -X26(LF) | 2X13 | 1.58/40.1 | 1.52/38.6 | 1.200/30.48 | | |
| -X30(LF) | 2X15 | 1.78/45.2 | 1.72/43.7 | 1.400/35.56 | | |
| -X34(LF) | 2X17 | 1.98/50.3 | 1.92/48.8 | 1.600/40.64 | | |
| -X40(LF) | 2X20 | 2.28/57.9 | 2.22/56.4 | 1.900/48.26 | | |
| -X44(LF) | 2X22 | 2.48/63.0 | 2.42/61.5 | 2.100/53.34 | | |
| -X50(LF) | 2X25 | 2.78/70.6 | 2.72/69.1 | 2.400/60.96 | | |
| 89541-X60(LF) | 2X30 | 3.28/83.3 | 3.22/81.8 | 2.900/73.66 | D | |

| | | | | | | | | |
|-------------|----------------|---------------------------------------|------------|---------------|-------------|---|---|---|
| mat'l. code | | tolerances unless otherwise specified | | CUSTOMER COPY | |  www.fciconnect.com | | |
| ltr | ecn no | dr | date | linear | .X ± 0.3 | projection |  | |
| D | | | | | .XX ± 0.13 | | | title HEADER QUICKIE SLIM LINE RIGHT ANGLE, 4 WALL HTP |
| | | | | | .XXX ± 0.05 | | | |
| | | | | angles | ± | INCH/MM | code | |
| | | dr | M. CLOUSER | 7/11/90 | | ← → | product family QUICKIE | |
| | | enfr | M.SMYK | 7/11/90 | | ← → | size dwg no | |
| | | chr | M.SMYK | 1/17/94 | scale | 1:1 | 89541 | |
| | | appd | M.SMYK | 6/14/93 | | A3 | sheet 3 of 3 | |
| sheet index | revision sheet | | | | | | | |